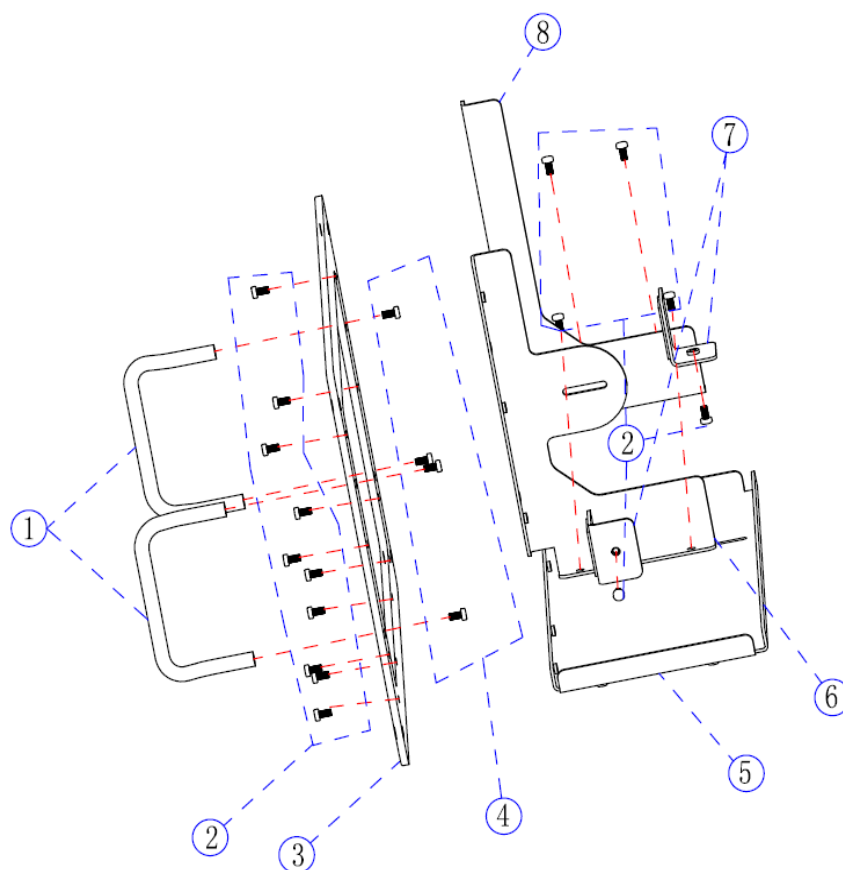


## 频谱分析仪机柜安装套件组装说明

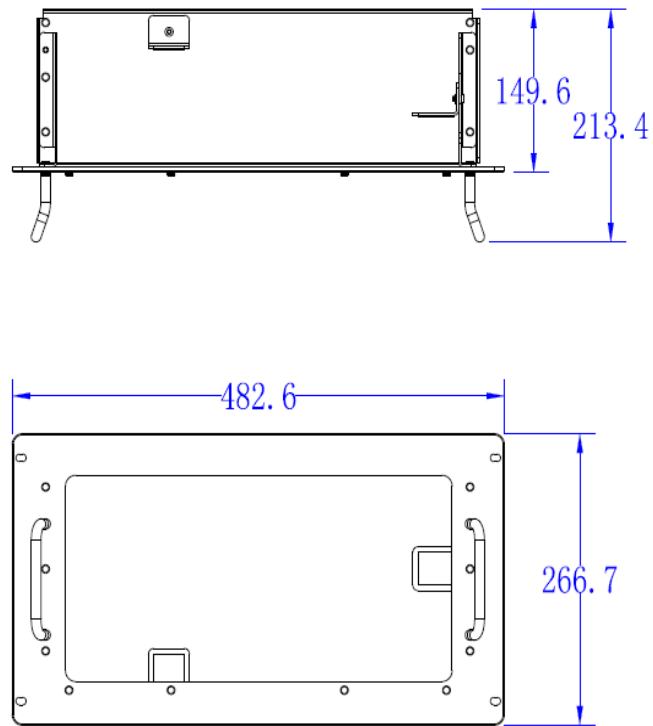
### Siglent SSA-RMK Installation Instructions

#### 部件装配示意图 Schematic diagram



#### 零件清单 (Kit part list):

序号 NO.	名称 Name	数量 QTY.	描述 Description
1	提手 Handle	2	
2	M4*10	16	16=10+4+2
3	五金前面板 Front panel	1	
4	M5*10	4	4
5	五金底板 Support panel	1	
6	五金右板 Right panel	1	
7	五金挡板 Metal baffle	1	
8	五金左板 Left panel	1	



### 安装步骤 Installation steps

- 1、安装五金左、右板：五金左、右板对准五金底板的孔，用 4pcs M4\*10 的螺钉将其固定，见图 1；  
Install the left and right plates of hardware: the left and right plates of hardware are aligned with the holes of the hardware base plate and fixed with 4pcs M4\*10 screw, as shown in Figure 1;

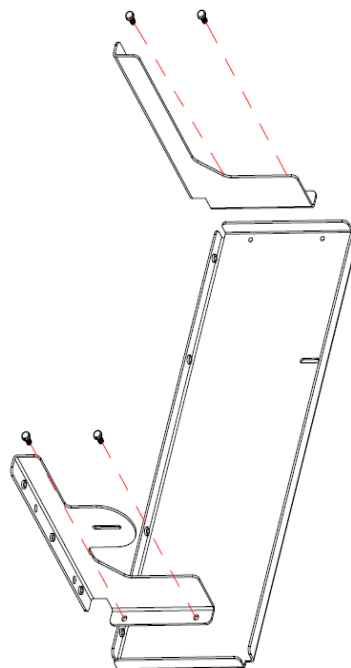


Figure 1

2.安装五金前面板：将五金前面板用 10pcs M4\*10 的螺钉将其固定在上一步骤组装好的五金框架上，见图 2；

Install Hardware Front Panel: Fix Hardware Front Panel with 10pcs M4\*10 Screw on Hardware Frame which is assembled step by step, as shown in figure 2;

3.安装提手：通过 4pcs M5\*10 螺钉，将提手固定在五金前面板上，见图 2；

Install the handle: fix the handle on the front panel By 4pcs M5\*10 screws, as shown in figure 2;

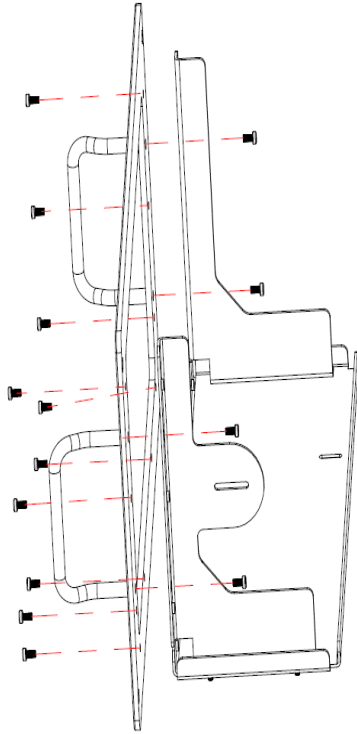


Figure 2

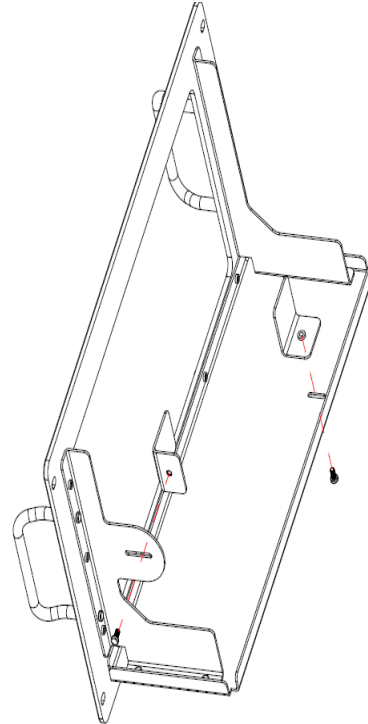


Figure 3

4.固定仪器：用 2 个固定件把仪器压紧，用 2pcs M4\*10 的螺钉来固定，见图 3；

Fixed instrument: press the instrument with two fixed parts, and fix it with 2pcs M4\*10 screw, as shown in figure 3;

5.装入机柜：用 4pcs M6 的螺钉配套相应的螺母（M6 螺母）将固定好的仪器的支架安装在标准 19 英寸的机柜上；注：机架占 6U 的高度，见图 4；

Load into the cabinet: use the screws of 4pcs M6 to match the corresponding nuts (M6 nuts), and install the fixed instruments bracket on the standard 19 inch cabinet. Note: the rack occupies the height of 6U, as shown in figure 4.

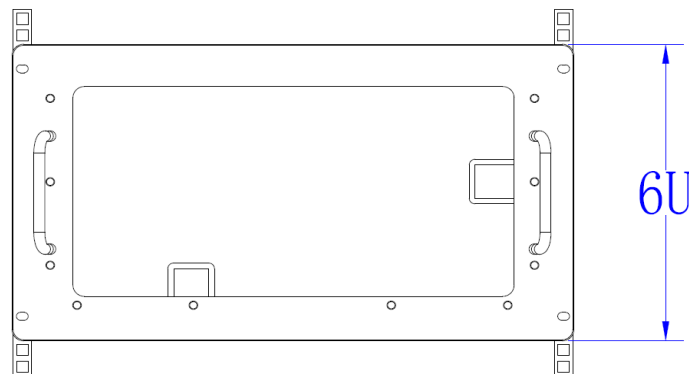


Figure 4